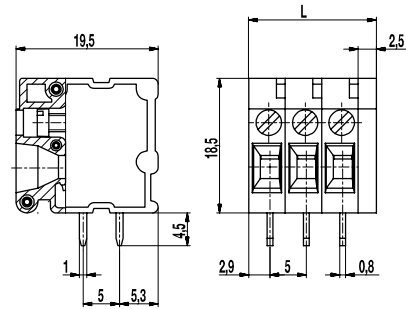


# 180-A-111

PCB connector  
Screw connection



## GENERAL INFORMATION

Pitch	5 mm
No. of poles	1 - 12
Areas of application	Particularly suitable for confined mounting space or only single-sided access.

## TECHNICAL DATA

Clamping Range	<i>solid / stranded / AWG</i> 0,14 - 4 mm <sup>2</sup> / 0,14 - 2,5 mm <sup>2</sup> / 26 - 12 AWG		
Rated Cross Section	2,5 mm <sup>2</sup>		
Wire Stripping Length	9 mm ± 0,5 mm		
Overvoltage Category	III	III	II
Pollution Severity Level	3	2	2
Rated Voltage	320 V	320 V	630 V
Rated Impulse Voltage	4 kV	4 kV	4 kV
Rated Insulation Voltage	450 V acc. to EN 60998-1		
Rated Current	24 A		
Hole in PCB	ø 1,4 mm		
Torque	0,4 Nm		

## APPROVALS

	Current [A]	Voltage [V]	Group	AWG	[Nm]
	20	300	B	24 - 12	0,4
	10	300	D	24 - 12	0,4
	20	300	B	24 - 12	0,4
	10	300	D, E	24 - 12	0,4

## CONFIGURATIONS

Poles	Part number	Article number	Length (L)	Packaging	PU
1	180-A-111/01	11.819.002	7,50 mm	Box	500
2	180-A-111/02	12.819.002	12,50 mm	Box	250
3	180-A-111/03	13.819.002	17,50 mm	Box	250
4	180-A-111/04	14.819.002	22,50 mm	Box	100
5	180-A-111/05	15.819.002	27,50 mm	Box	50
6	180-A-111/06	16.819.002	32,50 mm	Box	50

further number of poles on request

## MATERIAL

Moulding	PA, grey, V-0
Comparative Tracking Index	CTI ≥ 600
Insulating Group	I
Temperature Range	-40°C up to 100°C
Pressure clamp	Tin plated copper
Screw	M2,5; zinc plated steel, blue passivated
Solder pin	1,0 x 0,8 mm; tin plated copper
Terminal body	Zinc plated steel, blue passivated
Pressure plate	Brass, bright

## OPTIONS / ACCESSORIES

- Consecutive numbering
- Special marking according to drawing
- Self-adhesive marking strip BST-5,00
- Connected to larger number of poles

